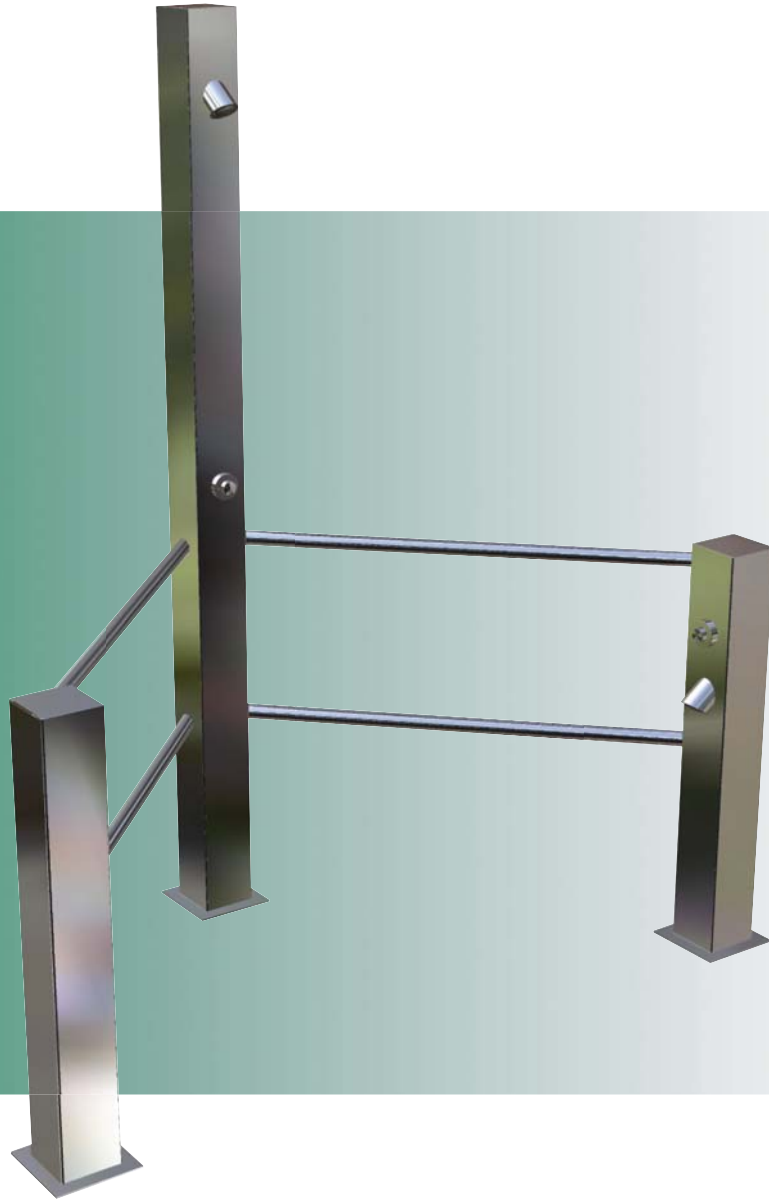


BEACH SHOWERS

FEATURES;

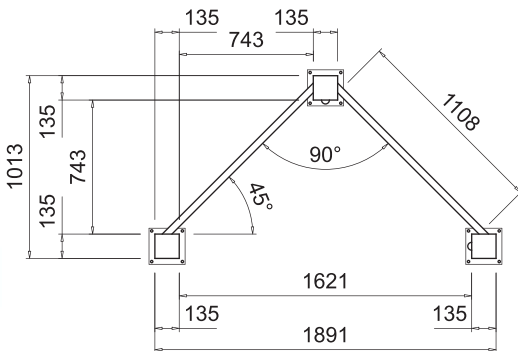
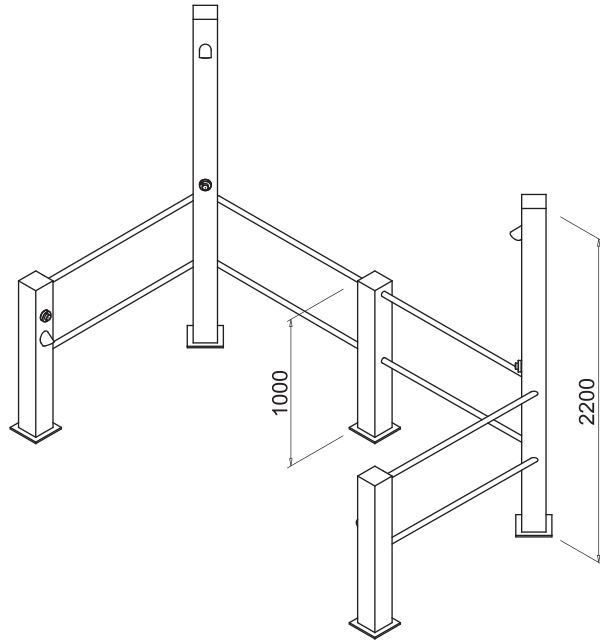
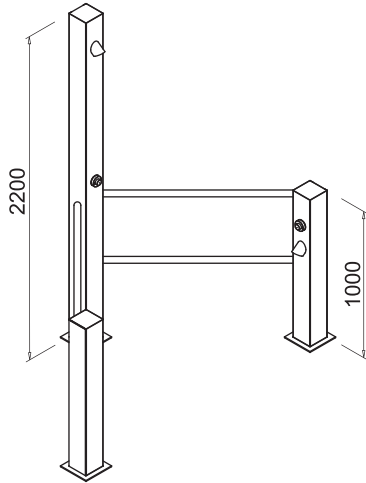
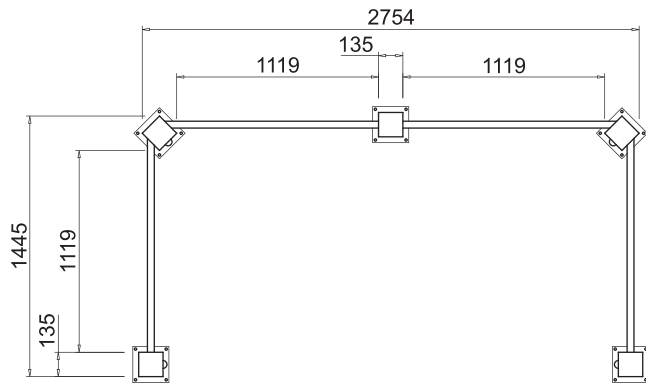
- Highly Vandal Resistant.
- Made from Marine Grade 316 Stainless Steel.
- Includes Timed Flow, Water Efficient Tapware.
- Incorporates Towel Rails and Foot Wash Posts.
- Perfect for Beachfronts and Public Reserves.



BRITEX

BQBS

BRITEX Beach Shower is designed specifically for locations such as beachfronts and public reserves. With security and coastal elements in mind, the columns are made from 3mm thick, marine grade stainless steel and come complete with vandal resistant tap fittings. For extra convenience, towel hanging rails link the columns that can be supplied in various standard and custom configurations where required.

PRODUCT CODES:**BQBS-3P-1H-2F** (3 POSTS - 1X HEAD SHOWER, 2X FOOT WASH)**BQBS-5P-2H-2F** (5 POSTS - 2X HEAD SHOWER, 2X FOOT WASH)**BQBS-3P-1H-2F****BQBS-5P-2H-2F****SPECIFICATIONS**

When specifying this product, please include the following details;

- Product **Name** and **Model No.**
- Overall Product **Dimensions.**
- Product **Features.**

OPTIONS

- Custom Configurations

Melbourne

Britex Place, Mirra Court
Bundoora
Victoria 3083
Telephone 1300 764 744
Fax (03) 9466 9044

Sydney

Unit 11, 16-18 Northumberland Rd
Taren Point
New South Wales 2229
Telephone 1300 764 744
Fax (02) 9531 2800



Quality
ISO 9001

BRITEX SINCE 1938

STAINLESS STEEL FABRICATED PRODUCTS

www.britex.com.au

e-mail info@britex.com.au

A.B.N. 83 004 309 737

Represented in all states of Australia, throughout Asia and the Pacific Regions.

All product manufacturing by **BRITEX** can be adapted to suit your special application.

Allow 5mm tolerance for setout dimensions given in these drawings. Details accurate at time of print.

As **BRITEX** is always committed to improving on design and quality, it is possible that some details may alter without notice.